

AD3L... LEVER OPERATED CETOP 3/NG6

1



AD3L...

STANDARD SPOOLS

CAP. I • 10

Max. pressure ports P/A/B	320 bar
Max. pressure port T	160 bar
Max. flow	60 l/min
Lever angle	2 x 17°
Fluid viscosity	10 ÷ 500 mm ² /s
Fluid temperature	-25°C ÷ 75°C
Ambient temperature	-25°C ÷ 60°C
Max. contamination level	class 10 in accordance with NAS 1638 with filter $\beta_{25} \geq 75$
Weight	1,2 Kg
Weight M1 variant	1,8 Kg

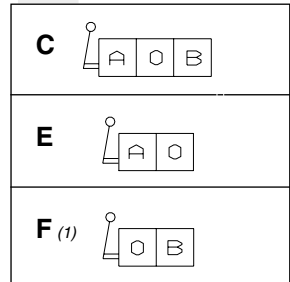
ORDERING CODE

AD	Directional valve
3	CETOP 3/NG6
L	Lever operation
**	Spool type (see table 1) Spool symbol see CAP. I • 10
*	Mounting type (see table 2)
*	Z = Valve with lever X = Valve without lever
*	Variants (see table 3)
4	Serial No.

TABLE 1 - SPOOLS TYPE

- For these valves spools are different from ones used on the other directional valves
- Available spools:
01 / 02 / 03 / 04 / 05 / 06 / 66
07 / 22 / 13 / 15 / 16 / 17

TABLE 2 - MOUNTING TYPE



(1) For spools 15-16-17 the lever is mounted on site B

OVERALL DIMENSIONS

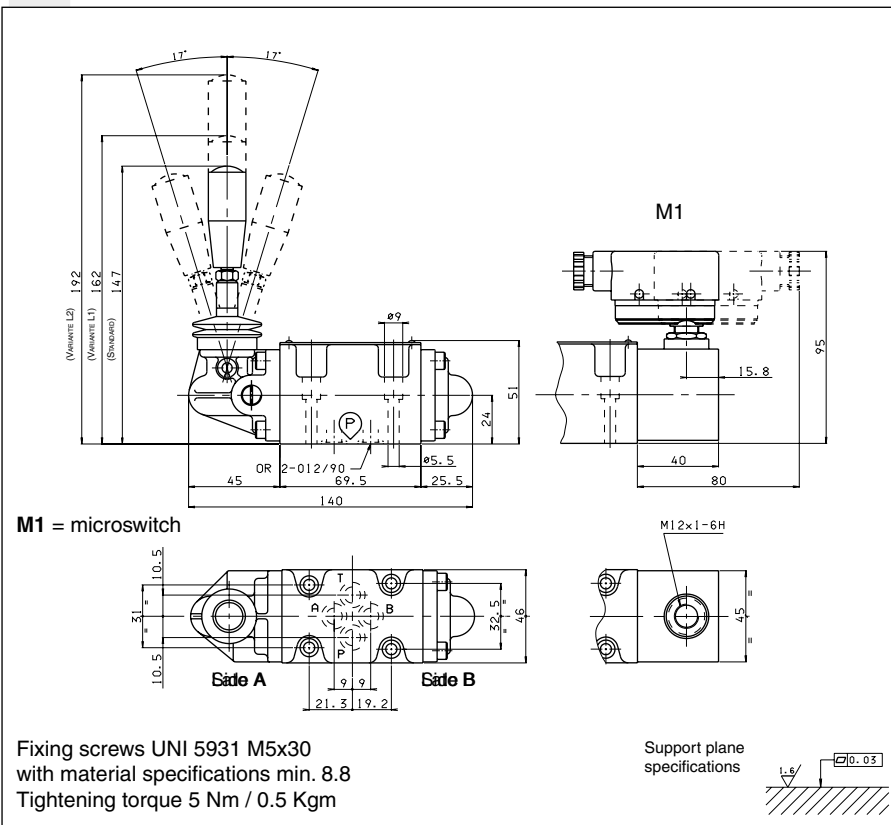


TABLE 3 - VARIANTS TABLE

VARIANTS	CODE (♦)
No variant	00
Viton	V1
Preset for microswitch Microswitch type AM1107 code V79000001 can be ordered separately.	M1 (♦)
Preset for microswitch + Viton	MV (♦)
With detent (*) (mechanical connection) (Springs are different from those for standard versions)	D1 (♦)
Preset for microswitch + Detent (*)	MD (♦)
Lever length 162 mm	L1
Lever length 192 mm	L2
♦ Variant codes stamped on the plate	
(*) max. 150.000 cycles.	